









GIOVANNI L. SHOWCASES



Status: 2026/01

page	product name	product number	width	Gastro-Gelato		Mountain-Gelato	Mountain-Gelato de Luxe		
				cm	2,5 l	5 l	5 l	3,5 l	9 l
SHOWCASES									
4-6		Gelato Premium Vitrine	115G / G6	121,1	24	12	12	16	8
4-6		Gelato Premium Vitrine	165 G / G9	171,5	36	18	18	24	12
4-6		Gelato Premium Vitrine	215G / G12	221,5	48	24	24	32	16
7		Gelato Showcase	D9	178,7	18	9	9	12	6
9-11		Gelato Showcase	P18 Pro	178,7	36	18	18	24	12
9-11		Gelato Showcase	P24 Pro	232,1	48	24	24	32	16
12-15		Gelato Showcase	D90	89,0	16	8	8	-	-
12-15		Gelato Showcase	D120	122,0	24	12	12	-	-
12-15		Gelato Showcase	D150	155,0	32	16	16	-	-

page	product name	product number	width	Gastro-Gelato		Mountain-Gelato	Mountain-Gelato de Luxe		
				cm	2,5 l	5 l	5 l	3,5 l	9 l
CATERING / EVENTS									
17-19		Gelato Cart	G6	226,0	24	12	12	16	8
17-19		Gelato Cart	G9	280,0	36	18	18	24	12
20-21		Mini Gelato Cart	M3-C	100,0	6	3	3	-	-
22-23		Gelato Bicycle	Alamy D7	265	14	7	7	-	-

page	product name	product number	width	Gastro-Gelato		Mountain-Gelato	Mountain-Gelato de Luxe		
				2,5 l	5 l	5 l	3,5 l	9 l	
cm									
GASTRO									
24-26		Table Showcase	G3-ST	67,2	6	3	3	-	-
24-26		Floor Showcase	G3-STD	68,9	6	3	3	-	-
27-28		Gastro Showcase	SD320Q	100,0	14	7	7	-	-
STORAGE / LAGER									
29-31		Stainless Steel Freezer	ES-D0.5F-2M(750)	75	168	84	42	60	30
		Stainless Steel Freezer	ES-D0.5F-2M(950)	90	200	100	60	72	36

GELATO-PREMIUM VITRINE



CATERING-GELATO



MOUNTAIN-GELATO



MOUNTAIN-GELATO DE LUXE



Status: 2026 / 01

AVAILABLE IN THREE VERSIONS



CATERING-GELATO



MOUNTAIN-GELATO



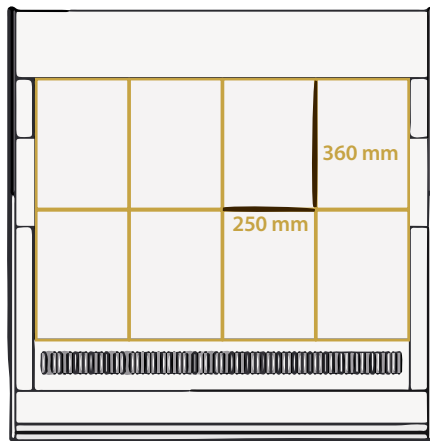
MOUNTAIN-GELATO DE LUXE

115 G

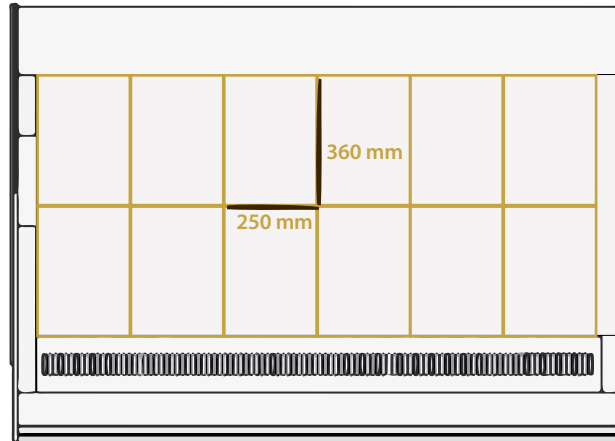
165 G

215 G

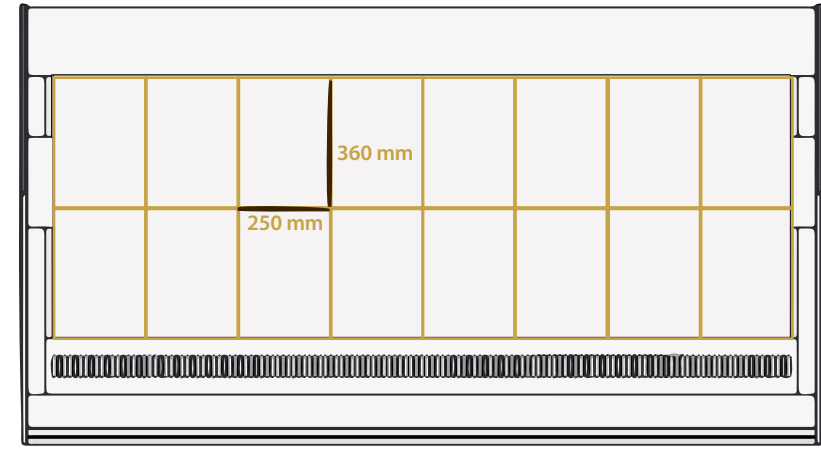
Height: 1503 mm



1211 mm



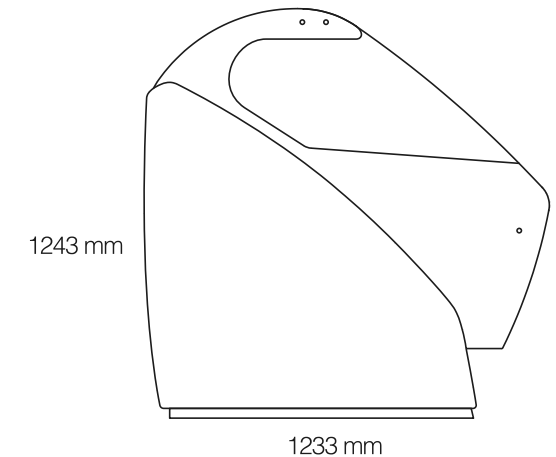
1715 mm



2215 mm

1234 mm

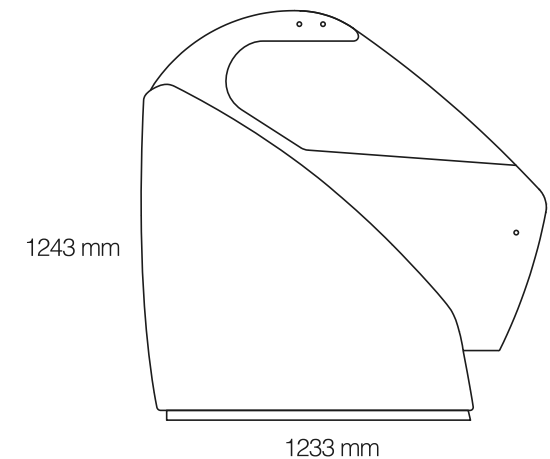
Product name	product number	Gastro-Gelato		Mountain-Gelato	Mountain-Gelato de Luxe	
		2,5 l	5 l	5 l	3,5 l	9 l
Gelato Premium Vitrine	115G / G6	24	12	12	16	8
Gelato Premium Vitrine	165 G / G9	36	18	18	24	12
Gelato Premium Vitrine	215G / G12	48	24	24	32	16



FACTS

- tilted front glass, tempered and heated
- front glass open downwards
- LED lighting system
- cooling via dual air flows
- standard temperature range can be adjusted for optimal scooping
- integrated hermetic, air-cooled cooling system, three-phase
- heated side glass panels
- stainless steel worktop at the rear
- rear closure with sliding plexiglass doors
- front with duable gold leaf foil with copper-colored 3D logo lettering
- showcase on wheels

	115 G	165 G	215 G
temperature range (°C)	-18 / -20	-18 / -20	-18 / -20
power supply	400V/3/50 Hz	400V/3/50 Hz	400V/3/50 Hz
compressor capacity	1210 W	900 + 900 W	1210 + 1210 W
cooling capacity	900 W	1800 W	1800 W
total consumption	2000 W	3050 W	3100 W
net weight	290 Kg	365 Kg	455 Kg



Status: 2026/01

GELATO SHOWCASE D9



CATERING-GELATO



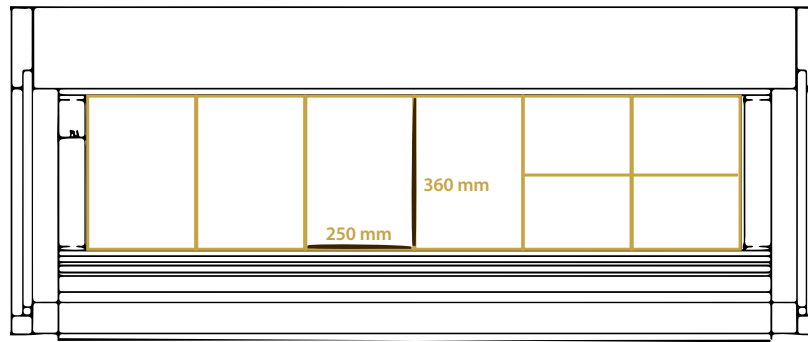
MOUNTAIN-GELATO



MOUNTAIN-GELATO DE LUXE

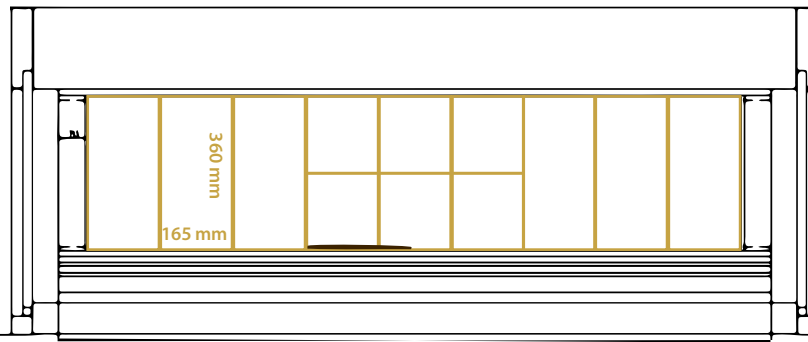


DIMENSIONS



1787 mm

725 mm



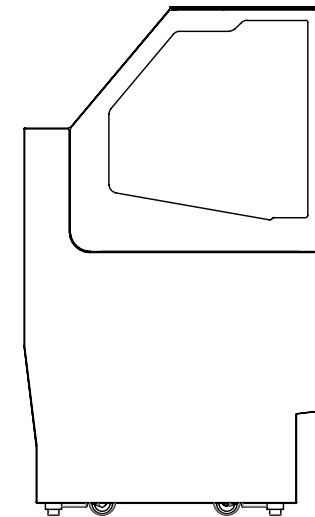
725 mm



TECHNICAL DATA

Showcase D9

temperature range (°C)	-10 / -22
power supply	220V/1Ph/50Hz
compressor	Embraco
dimensions (L x B x H)	1787 x 725 x 1250mm
net weight	240 Kg



Product name	product number	Gastro-Gelato		Mountain-Gelato	Mountain-Gelato de Luxe	
		2,5 l	5 l	5 l	3,5 l	9 l
Gelato Showcase	D9	18	9	9	12	6

Status: 2026 / 01

GELATO SHOWCASE | P18 PRO + P24 PRO



CATERING-GELATO



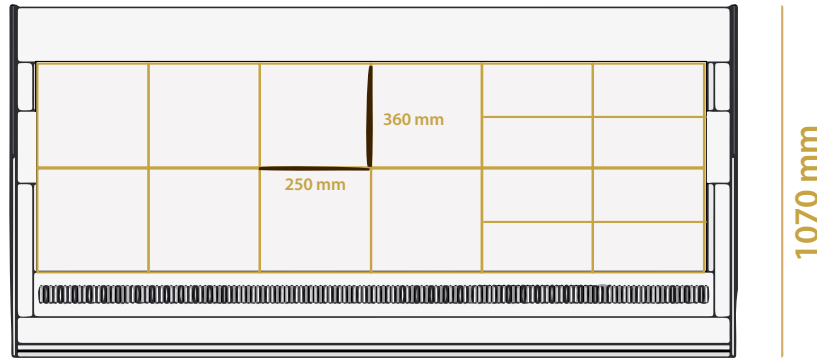
MOUNTAIN-GELATO



MOUNTAIN-GELATO DE LUXE

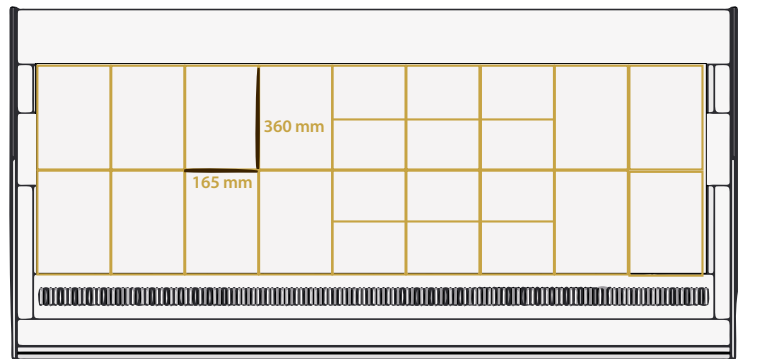


DIMENSIONS P18 PRO



1787 mm

1070 mm

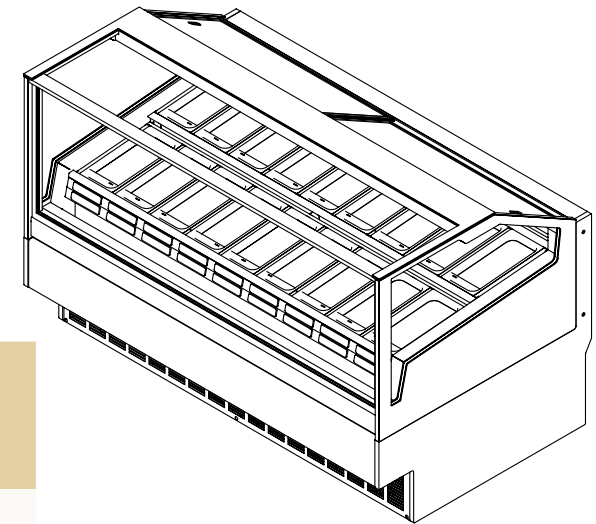


1070 mm



TECHNICAL DATA

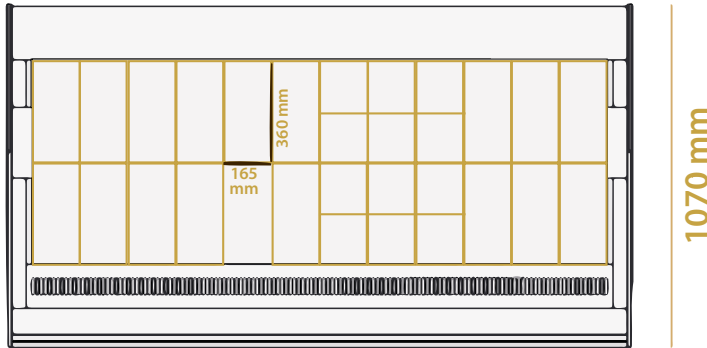
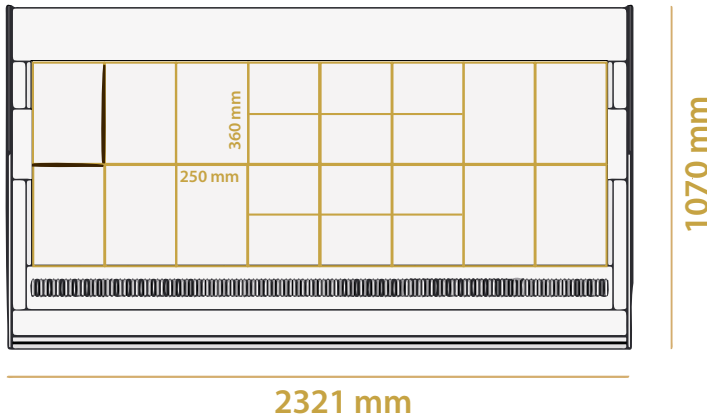
	P18 Pro
temperature range (°C)	-10 / -22
power supply	220V/1Ph/50Hz
compressor	Embraco
dimensions (L x B x H)	1787 x 1070 x 1200mm
net weight	260 kg 300 kg



Product name	product number	Gastro-Gelato		Mountain-Gelato	Mountain-Gelato de Luxe	
		2,5 l	5 l	5 l	3,5 l	9 l
Gelato Showcase	P18 Pro	36	18	18	24	12

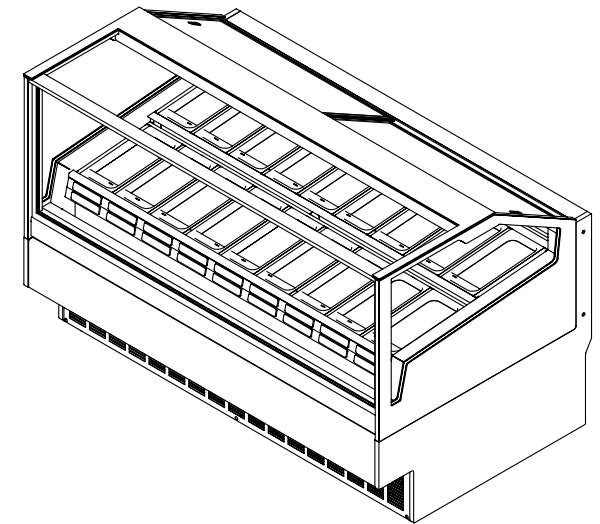
Status: 2026 / 01

DIMENSIONS P24 PRO



TECHNICAL DATA

	P24 Pro
temperature range (°C)	-10 / -22
power supply	220V/1Ph/50Hz
compressor	Embraco
dimensions (L x B x H)	2321 x 1070 x 1200mm
net weight	260 kg 300 kg



Product name	product number	Gastro-Gelato		Mountain-Gelato	Mountain-Gelato de Luxe	
		2,5 l	5 l	5 l	3,5 l	9 l
Gelato Showcase	P24 Pro	48	24	24	32	16

Status: 2026 / 01

GELATO SHOWCASE | D 90, D120, D150



CATERING-GELATO



MOUNTAIN-GELATO



Status: 2026 / 01

FACTS | D90

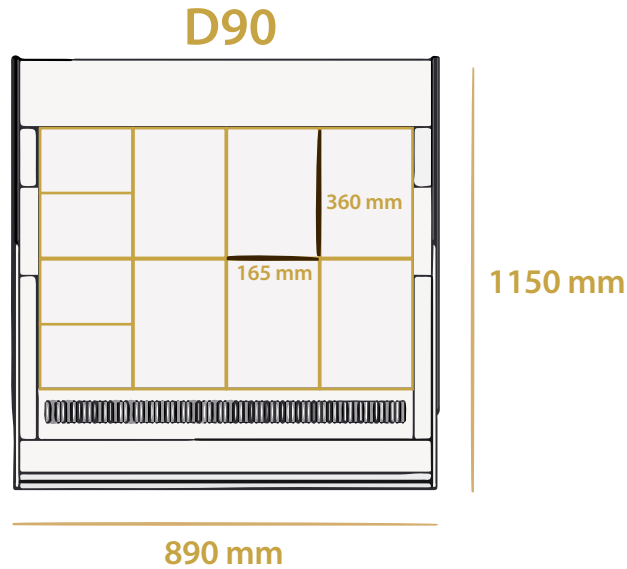
DIMENSIONS AVAILABLE IN THREE VERSIONS



BERGE-GELATO

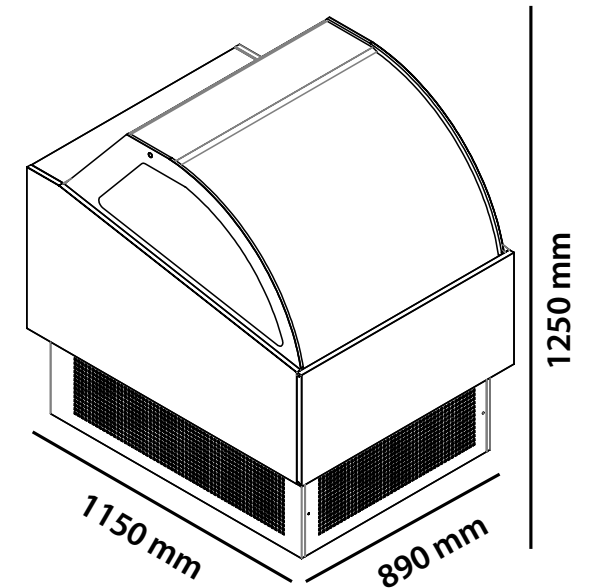


GASTRO-GELATO



TECHNICAL DATA

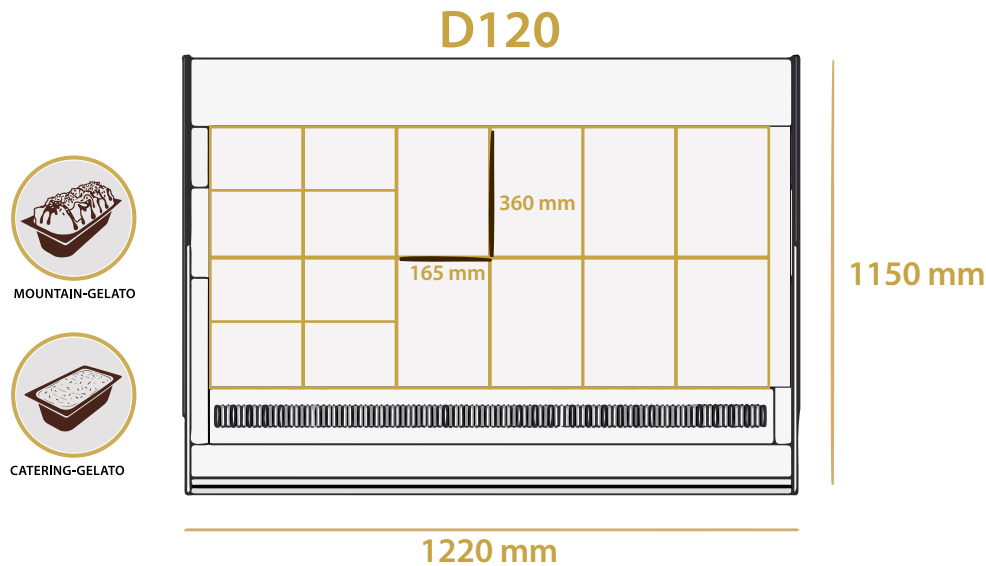
	D90
temperature range (°C)	-18 / -22
power supply	220V/50Hz
dimensions (L x B x H)	890 x 1150 x 1250 mm



Product name	product number	Gastro-Gelato		Mountain-Gelato	Mountain-Gelato de Luxe	
		2,5 l	5 l	5 l	3,5 l	9 l
Gelato Showcase	D90	16	8	8	-	-

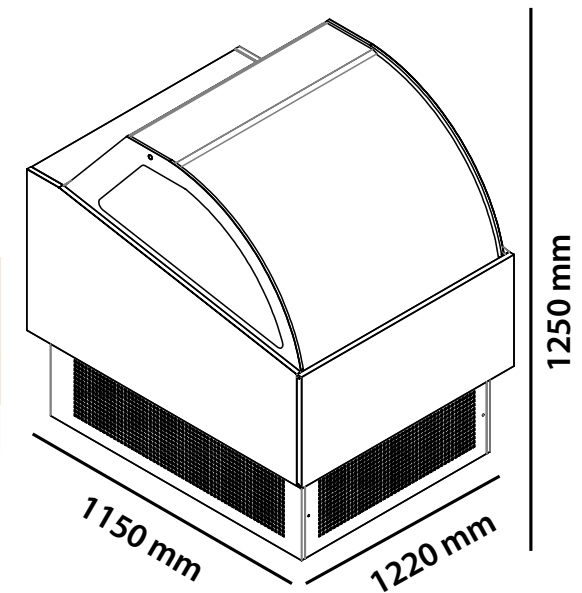
FACTS | D120

DIMENSIONS AVAILABLE IN THREE VERSIONS



TECHNICAL DATA

	D120
temperature range (°C)	-18 / -22
power supply	220V/50Hz
dimensions (L x B x H)	1220 x 1150 x 1250 mm

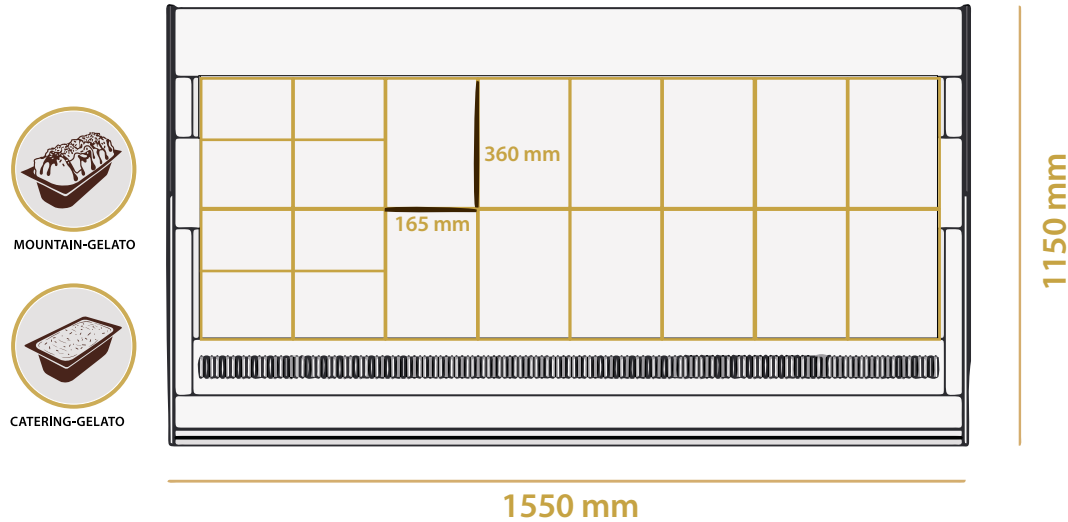


Product name	product number	Gastro-Gelato		Mountain-Gelato	Mountain-Gelato de Luxe	
		2,5 l	5 l	5 l	3,5 l	9 l
Gelato Showcase	D120	24	12	12	-	-

FACTS | D150

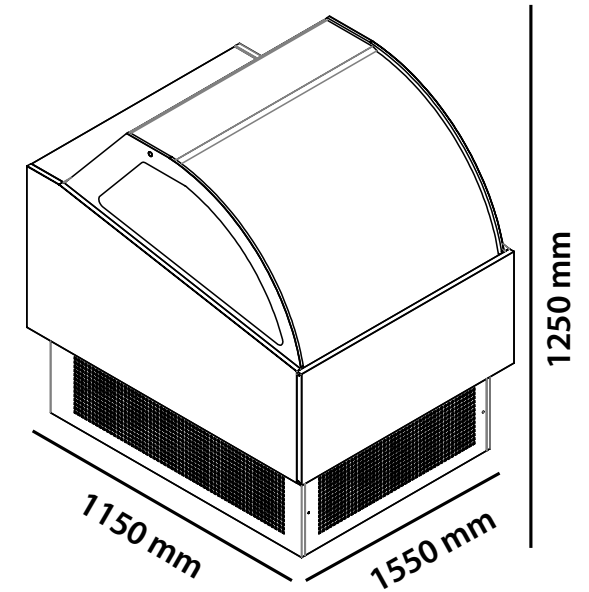
DIMENSIONS AVAILABLE IN THREE VERSIONS

D150



TECHNICAL DATA

D150	
temperature range (°C)	-18 / -22
power supply	220V/50Hz
dimensions (L x B x H)	1550 x 1150 x 1250 mm



Product name	product number	Gastro-Gelato		Mountain-Gelato	Mountain-Gelato de Luxe	
		2,5 l	5 l	5 l	3,5 l	9 l
Gelato Showcase	D150	32	16	16	-	-

Status: 2026 / 01

GELATO-CART



CATERING-GELATO

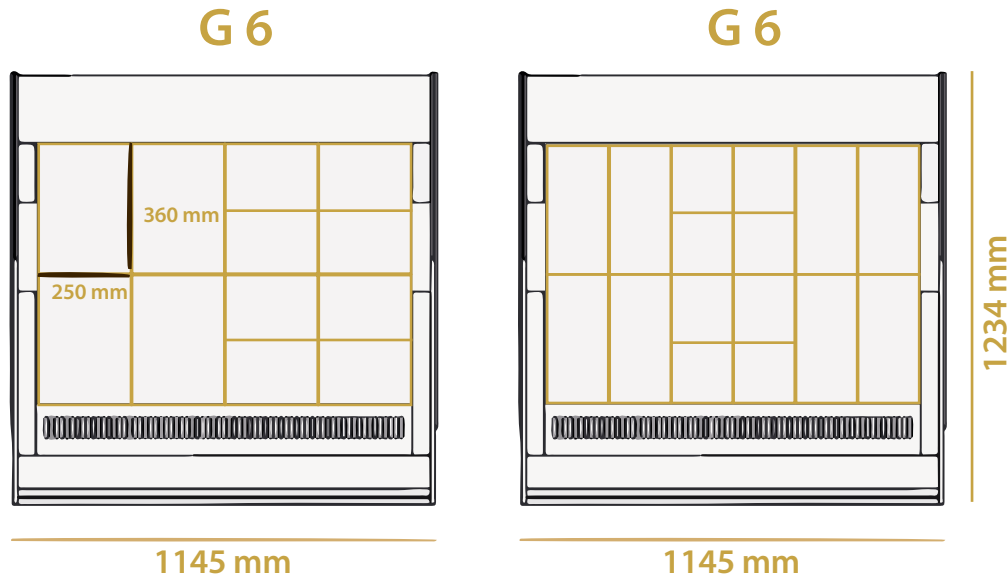


MOUNTAIN-GELATO



MOUNTAIN-GELATO DE LUXE

DIMENSIONS



TECHNICAL DATA

Gelato-Cart G6

Cart dimensions (H x B x T)	2490 x 2260 x 1170mm
power supply	230V / 50HZ
temperature range (°C)	-18 / -20
condenser	air cooling
compressor	Embraco

Includes:
hand wash basin, sink for gelato scoop with container for fresh and waste water



MOUNTAIN-GELATO DE LUXE

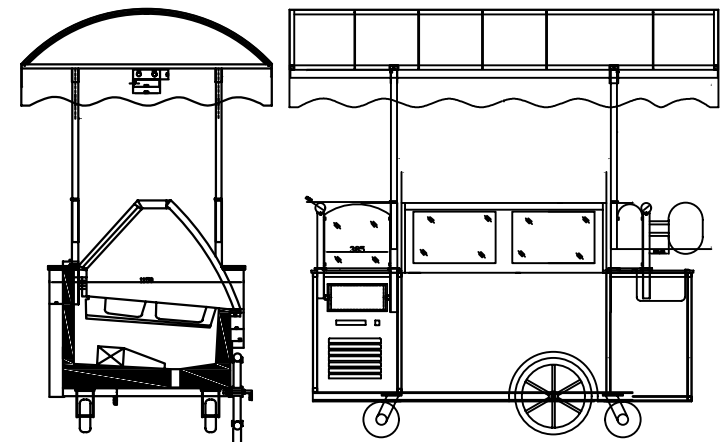


CATERING-GELATO

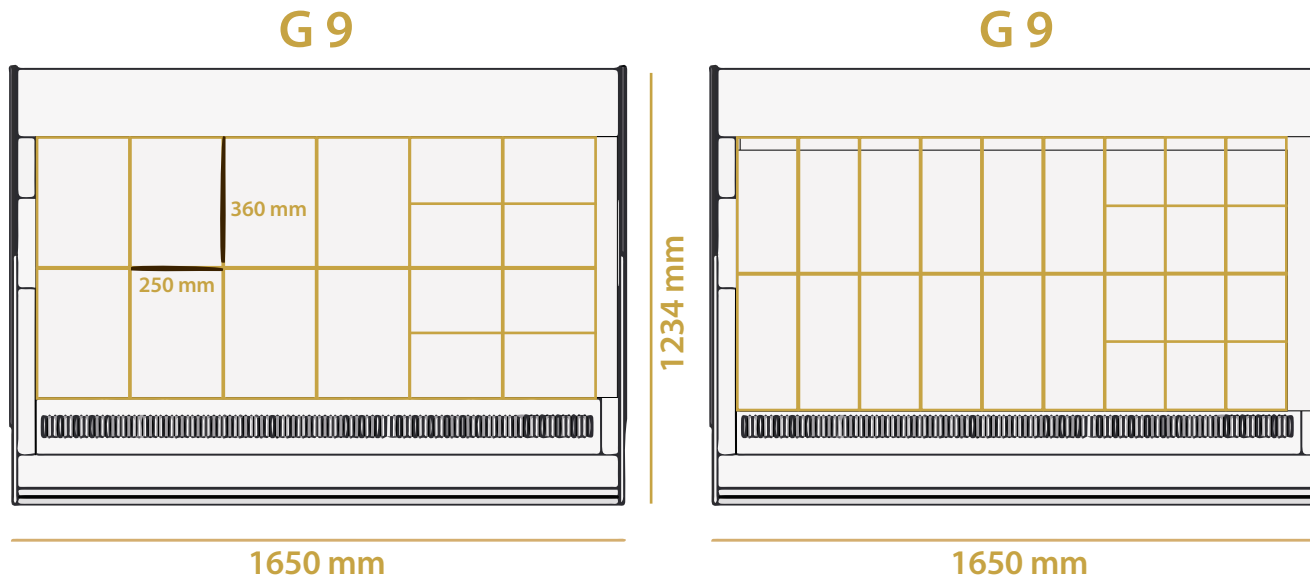


MOUNTAIN-GELATO

Product name	product number	Gastro-Gelato		Mountain-Gelato	Mountain-Gelato de Luxe	
		2,5 l	5 l	5 l	3,5 l	9 l
Gelato Cart	G6	24	12	12	16	8



DIMENSIONS



MOUNTAIN-GELATO DE LUXE



CATERING-GELATO



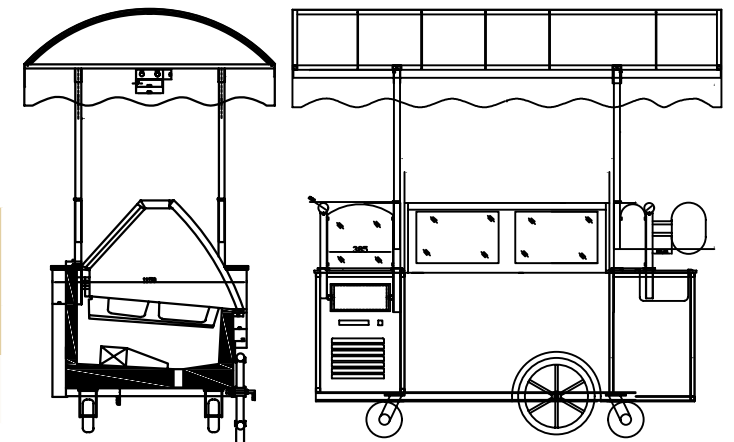
MOUNTAIN-GELATO

TECHNICAL DATA

Gelato-Cart G9

Cart dimensions (H x B x T)	2490 x 2800 x 1170mm
power supply	230V / 50HZ
temperature range (°C)	-18 / -20
condenser	Luftkühlung
compressor	Embraco

Includes:
hand wash basin, sink for gelato scoop with container for fresh and waste water



Product name	product number	Gastro-Gelato		Mountain-Gelato	Mountain-Gelato de Luxe	
		2,5 l	5 l	5 l	3,5 l	9 l
Gelato Cart	G9	36	18	18	24	12

MINI GELATO CART | M3-C



CATERING-GELATO



MOUNTAIN-GELATO



Status: 2026 / 01

DIMENSIONS

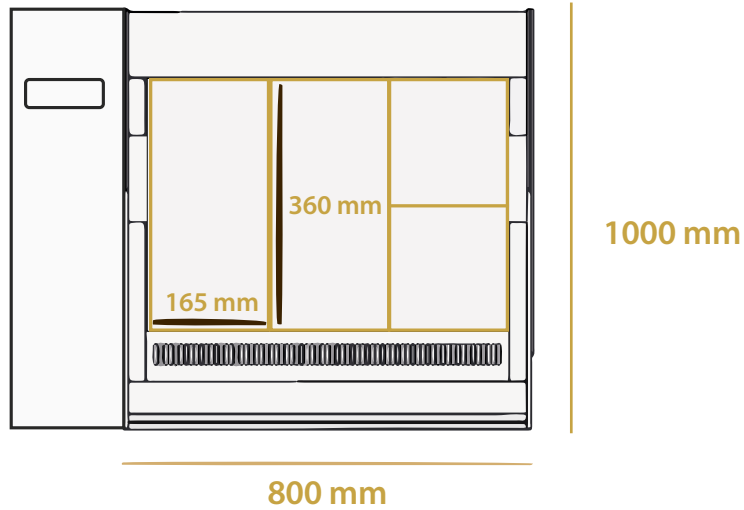
M3-C



MOUNTAIN-GELATO



CATERING-GELATO

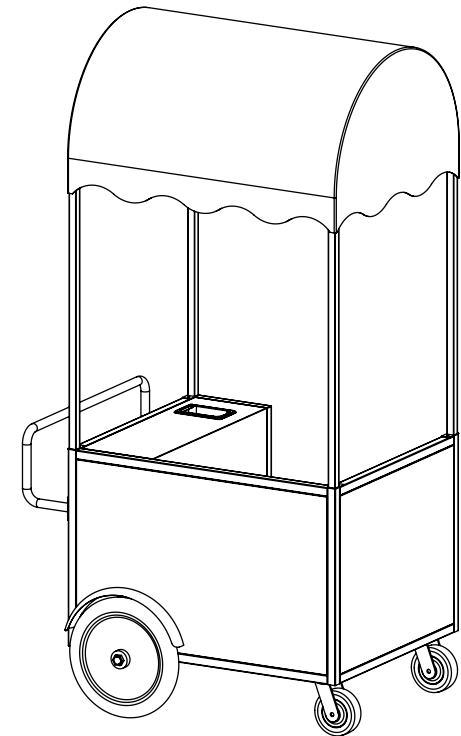


TECHNICAL DATA

M3-C

vehicle-dimensions
(H x B x T)

2230 x 800 x 1000mm



Product name	product number	Gastro-Gelato		Mountain-Gelato	Mountain-Gelato de Luxe	
		2,5l	5l	5l	3,5l	9l
Mini Gelatocart	M3-C	6	3	3	-	-

Status: 2026/01

GELATO BICYCLE | ALAMY D7



CATERING-GELATO



MOUNTAIN-GELATO



Status: 2026 / 01

DIMENSIONS

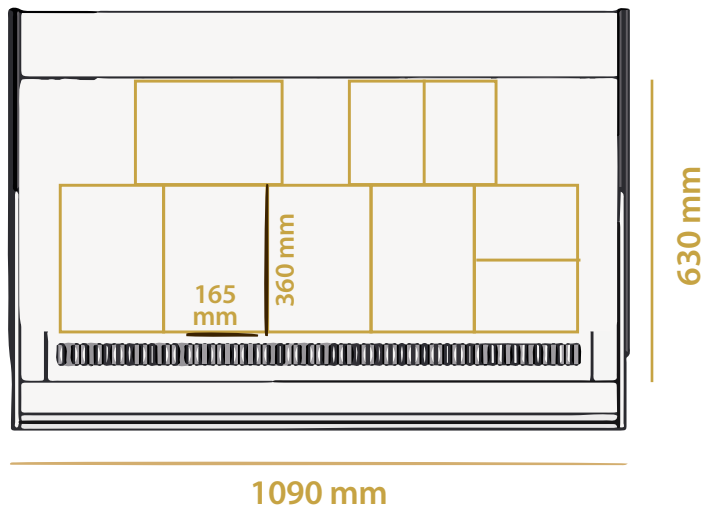
Alamy D7



MOUNTAIN-GELATO



CATERING-GELATO



TECHNICAL DATA

Alamy D7

vehicle-dimensions (H x B x T)	2400 x 2650 x 800 mm
--------------------------------	----------------------

Product name	product number	Gastro-Gelato		Mountain-Gelato	Mountain-Gelato de Luxe	
		2,5 l	5 l	5 l	3,5 l	9 l
Gelato Bicycle Cart	Alamy D7	14	7	7	-	-

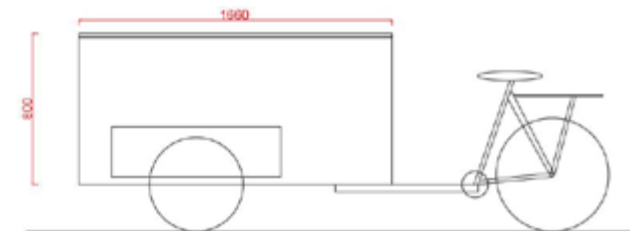
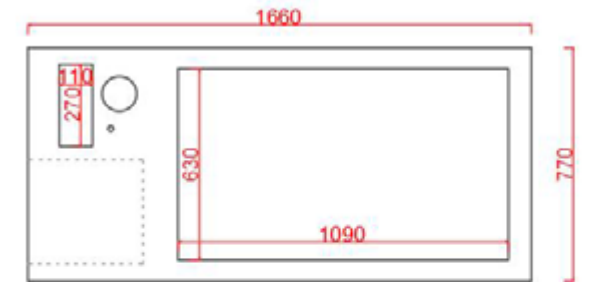


TABLE & FLOOR SHOWCASE | G3 ST, G3 STD



CATERING-GELATO



MOUNTAIN-GELATO



Status: 2026/01

DIMENSIONS

G3 ST

5 L

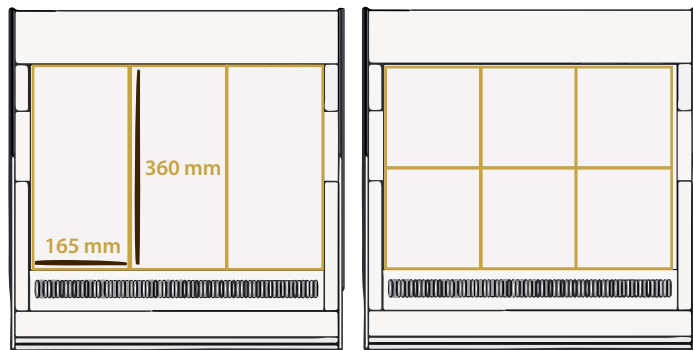
2,5 L



MOUNTAIN-GELATO



CATERING-GELATO



672 mm

672 mm

743 mm

TECHNICAL DATA

table showcase G3-ST

dimensions (H x B x T)	338 x 672 x 743mm
temperature range (°C)	-16 / -18
power supply	220-240V/1/50Hz
total consumption	500 W
net weight	50 Kg

Product name	product number	Width cm	Gastro-Gelato		Mountain-Gelato	Mountain-Gelato de Luxe	
			2,5 l	5 l	5 l	3,5 l	9 l
table showcase	G3-ST	67,2	6	3	3	-	-



DIMENSIONS

G3 STD

5 L

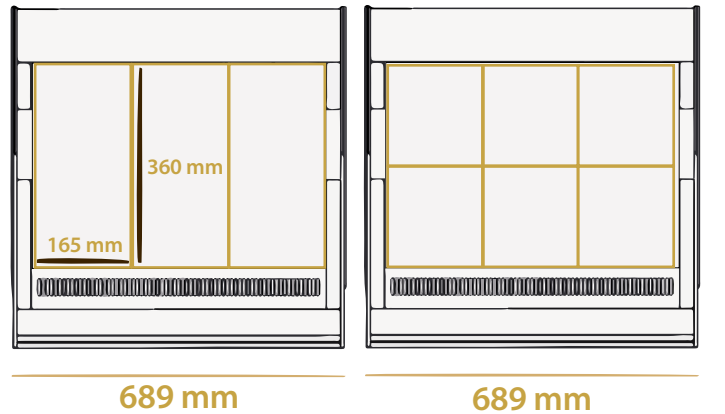
2,5 L



MOUNTAIN-GELATO



CATERING-GELATO



553 mm

TECHNICAL DATA

Floor Showcase G3-STD	
dimensions (H x B x T)	902 x 689 x 553mm
temperature range (°C)	-16 / -18
power supply	220-240V/1/50Hz
total consumption	500 W
net weight	130 Kg

Product name	product number	Width cm	Gastro-Gelato		Mountain-Gelato	Mountain-Gelato de Luxe	
			2,5 l	5 l	5 l	3,5 l	9 l
Floor Showcase	G3-STD	68,9	6	3	3	-	-



GASTRO-SHOWCASE | SD320Q



CATERING-GELATO



MOUNTAIN-GELATO



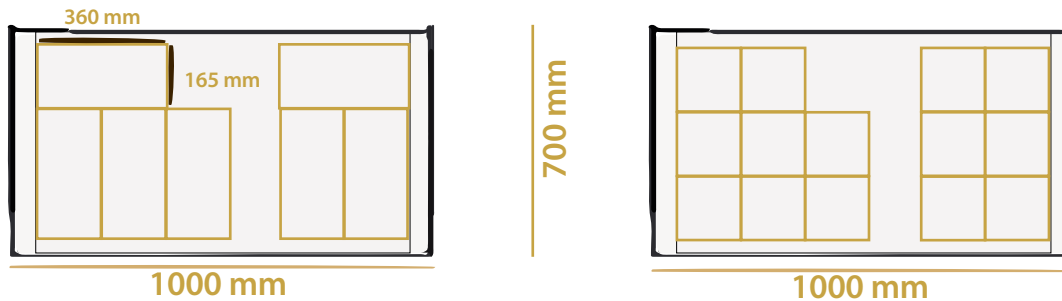
DIMENSIONS

SD 320Q

Height: 850 mm

5 L

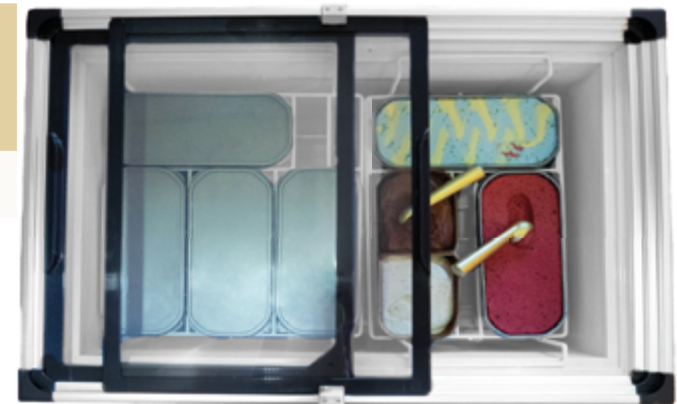
2,5 L



TECHNICAL DATA

Gastro-Showcase SD320Q	
dimensions (L x B x H)	1000 x 700 x 850mm
basket capacity	2
temperature range (°C)	-18 / -14
volume	203 L
compressor	Embraco

Product name	product number	Gastro-Gelato		Mountain-Gelato	Mountain-Gelato de Luxe	
		2,5 l	5 l	5 l	3,5 l	9 l
Gastro Vitrine	SD320Q	14	7	7	-	-



TK-SCHRÄNKE | ES-D0.5F-2M (700+900)



CATERING-GELATO



MOUNTAIN-GELATO



MOUNTAIN-GELATO DE LUXE



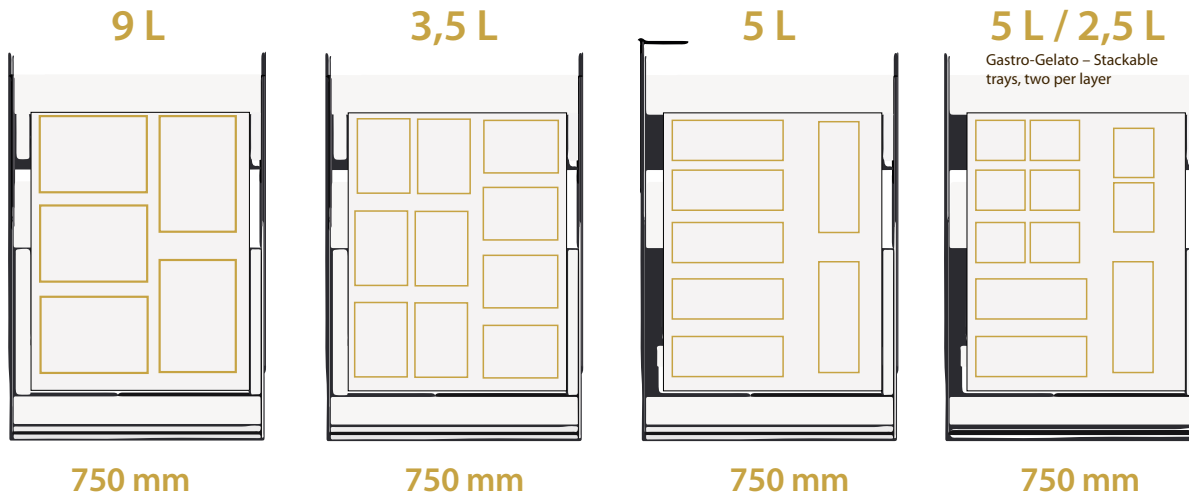
ORIGINAL

GOLD-FOIL

RUST-EFFECT-FOIL

Similar illustration!

DIMENSIONS ES-D0.5F-2M(750)



TECHNICAL DATA

**stainless steel
freezer ES-D0.5F-2M(750)**

dimensions (H x B x T)	1980 x 750 x 950mm
power supply	230V / 50Hz
temperature range (°C)	-14 / -22
power consumption (in 24h)	8,10kW

950 mm

Product name	product number	Gastro-Gelato*		Mountain-Gelato	Mountain-Gelato de Luxe	
		2,5 l	5 l	5 l	3,5 l	9 l
TK-Schrank	ES-D0.5F-2M(750)	168	84	42	60	30

* Stackable trays – two per layer

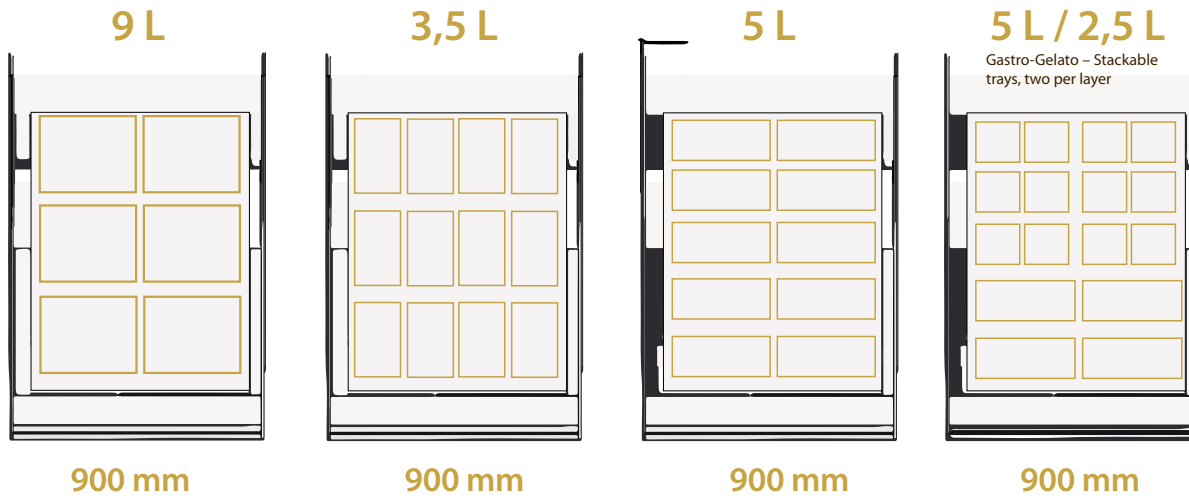


Similar illustration!
Freezer on castors



incl. 5 racks
for 6 layers

DIMENSIONS ES-D0.5F-2M(900)



TECHNICAL DATA

**stainless steel
freezer ES-D0.5F-2M(900)**

dimensions (H x B x T)	1980 x 900 x 920mm
power supply	230V / 50Hz
temperature range (°C)	-14 / -22
power consumption (in 24h)	8,10kW

920 mm

Product name	product number	Gastro-Gelato*		Mountain-Gelato	Mountain-Gelato de Luxe	
		2,5l	5l	5l	3,5l	9l
TK-Schrank	ES-D0.5F-2M(900)	200	100	60	72	36

* Stackable trays – two per layer



Similar illustration!
Freezer on castors



incl. 5 racks
for 6 layers

Status: 2026 / 01